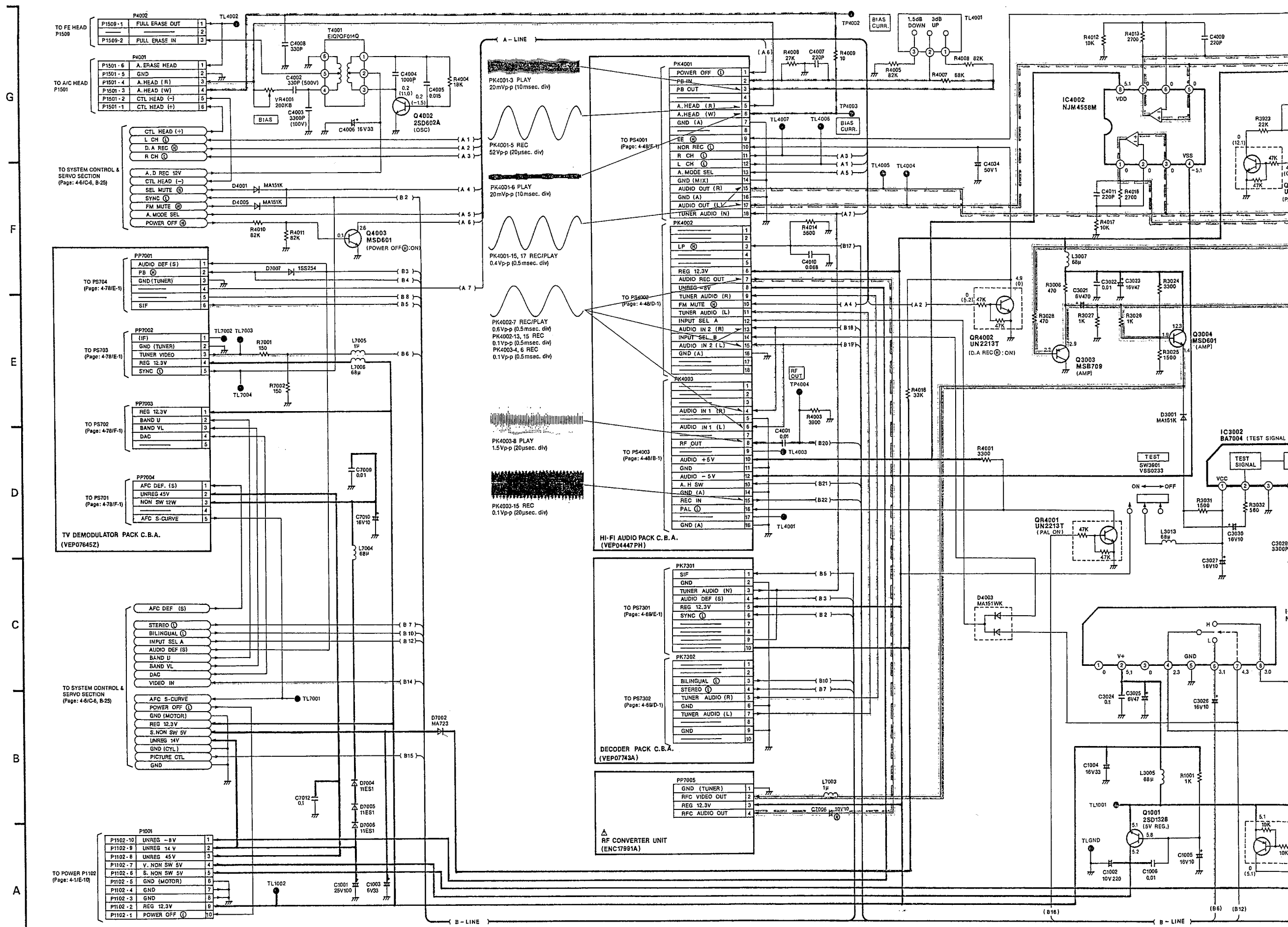


4.5. LUMINANCE/CHROMINANCE & AUDIO SECTION IN MAIN SCHEMATIC DIAGRAM (NV-HD90EE)

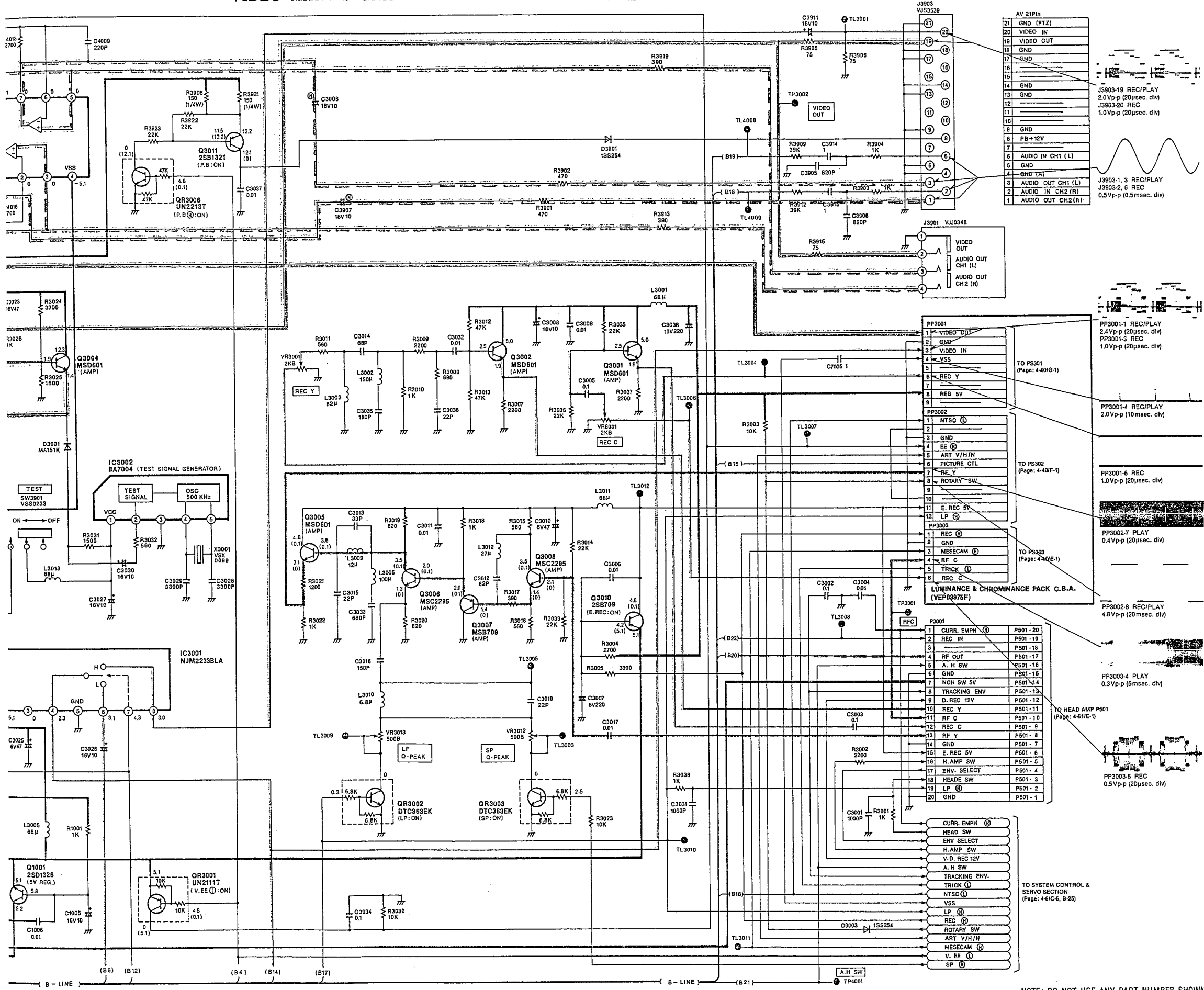


IMPORTANT SAFETY NOTICE:
 COMPONENTS IDENTIFIED WITH THE MARK Δ HAVE THE SPECIAL CHARACTERISTICS FOR SAFETY.
 WHEN REPLACING ANY OF THESE COMPONENTS, USE ONLY THE SAME TYPE.

NOTE: THE MEASUREMENT MODE OF THE DC VOLTAGE IN THE BRACKETS () ON THIS DIAGRAM IS RECORDED WITH PAL COLOUR SIGNAL. (SP MODE)

VIDEO MAIN SIGNAL PATH IN REC MODE
VIDEO MAIN SIGNAL PATH IN PLAYBACK MODE

AUDIO MAIN SIGNAL PATH IN REC MODE
AUDIO MAIN SIGNAL PATH IN PLAYBACK MODE



AV 2Pin

21	GND (FTZ)
20	VIDEO IN
19	VIDEO OUT
18	GND
17	GND
16	GND
15	GND
14	GND
13	GND
12	GND
11	GND
10	GND
9	PB +12V
8	GND
7	AUDIO IN CH1 (L)
6	GND
5	GND
4	GND (R)
3	AUDIO OUT CH1 (L)
2	AUDIO IN CH2 (R)
1	AUDIO OUT CH2 (R)

J3903-19 REC/PLAY
2.0Vp-p (20µsec. div)
J3903-20 REC
1.0Vp-p (20µsec. div)

J3903-1, 3 REC/PLAY
J3903-2, 6 REC
0.5Vp-p (0.5msec. div)

PP3001

1	VIDEO OUT
2	GND
3	VIDEO IN
4	VSS
5	REC Y
6	REG 5V
7	GND
8	NTSC
9	GND
10	EE
11	ART V/H/N
12	PICTURE CTL
13	RF Y
14	ROTARY SW
15	E. REC 2V
16	LP

TO PS301 (Page: 4-40/G-1)

TO PS302 (Page: 4-40/F-1)

TO PS303 (Page: 4-40/E-1)

PP3001-1 REC/PLAY
2.4Vp-p (20µsec. div)
PP3001-3 REC
1.0Vp-p (20µsec. div)

PP3001-4 REC/PLAY
2.0Vp-p (10msec. div)

PP3001-6 REC
1.0Vp-p (20µsec. div)

PP3002-7 PLAY
0.4Vp-p (20µsec. div)

PP3002-8 REC/PLAY
4.8Vp-p (20msec. div)

PP3003-4 PLAY
0.3Vp-p (5msec. div)

PP3003-5 REC
0.5Vp-p (20µsec. div)

F3001

1	CURR. EMPH	P501-20
2	REC IN	P501-19
3	GND	P501-18
4	RF OUT	P501-17
5	A. H SW	P501-16
6	GND	P501-15
7	NDN SW 5V	P501-14
8	TRACKING ENV	P501-13
9	D. REC 12V	P501-12
10	REC Y	P501-11
11	REC C	P501-10
12	REC C	P501-9
13	RF Y	P501-8
14	GND	P501-7
15	E. REC 5V	P501-6
16	H. AMP SW	P501-5
17	ENV. SELECT	P501-4
18	HEAD SW	P501-3
19	LP	P501-2
20	GND	P501-1

TO HEAD AMP P501 (Page: 4-61/E-1)

TO SYSTEM CONTROL & SERVO SECTION (Page: 4-61/C-6, B-25)

HE BRACKETS () ON THIS DIAGRAM IS RECORD MODE

THE MEASUREMENT MODE OF THE DC VOLTAGE OUT OF THE BRACKETS ON THIS DIAGRAM IS PLAYBACK MODE WITH PAL COLOUR SIGNAL. (SP MODE)

• LINE IN SIGNAL LEVEL... -10dB 1kHz

NOTE: DO NOT USE ANY PART NUMBER SHOWN ON THIS SCHEMATIC DIAGRAM FOR ORDERING. WHEN YOU ORDER A PART, PLEASE REFER TO PARTS LIST.